

8701CYILFT

Tau Wae	8701CYILFT
Kaihanga / Waitohu	Renesas Electronics Corporation
Whakaahuatanga Hua	IC CLOCK GENERATOR 48TQFP
Ngā Rauemi	ICS8701I.pdf

RoHs Tūnga	
Waehere Stock	4664 pcs stock
Tuhinga mai i	Hong Kong
Te Ara Tuhi	DHL/Fedex/TNT/UPS/EMS

Tikina he Whakatauranga

Paatohia te "Tikina he panui" ka whakakīia nga mara e hiahiatia ana. Ka urupare matou ki to tono i roto i nga haora 24 i te ra i te imeera. Mena ka tutaki koe ki tetahi take, waiho koa he panui, imeera ranei i a maatau i info@global-ic.hk, a ka hoki mai ano matou ki a koe i te wa e taea ai.

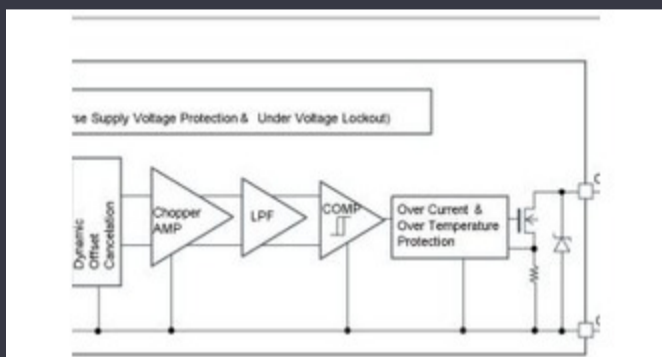
TIKINA HE WHAKATAURANGA

Ko te whakaahua he tohu. Tirohia nga korero mo nga taipitopito hua.

o 8701CYILFT

Tuhinga o mua	3.135V ~ 3.465V	Momo	Clock Generator, Fanout Distribution, Multiplexer
Pūrere Pūrere Whakarato	48-TQFP (7x7)	Raupapa	-
Ratonga - Whakauru: Whakaputa	1:20	Paa / Case	48-LQFP
Pūhera	Tape & Reel (TR)	PLL	No
Whakaputa	LVC MOS	Tae Mahi	0°C ~ 70°C
Tuhinga o mua	1	Momo Tae	Surface Mount
Whakauru	LVC MOS, LV TTL	Tautanga - Max	250MHz
Kawewehe / Whakanao	Yes/No	Motuhake - Whakauru: Whakaputa	No/No
Tau hua hua	8701C		

Panui Whakapono



Ka haere nga kaitirotiro miihini aunoa ki te 38V

2023/08/23

He pehea te ahuatanga o te mea pono

2023/07/19

He tohu-a-waea-waea mo te tuku me nga waka iti-rōrahi

2023/09/13

EUMW: Ka pai ake a Rohde & Schwarz

2023/09/15

Ka tapahia e te IC te pulsing o naianei ki te whakawhānui i te koirora Cell Tirohanga: Te aukati i nga waea ki te whakaheke i nga pauna i roto i te aunoa

2023/07/11

Te Ao Whakauru: Wi-Fi 6, Nihokikorangi me Teee 802.15.4 Ir-WPAN i roto i te waahanga kotahi

2023/03/16

2023/08/29

Ka taea e te cobot a Schneider te whakaara i te 3kg me te tūnga ki te 20µm

2023/08/7

Te whakahaere, te whakawhiti ranei i nga waahanga Ethernet Ahumahi Ahumahi

2023/08/21

Pūnaha Modular - Ko te Rewera i roto i nga korero whakauru

2023/04/5

Pepa Supercapaciru mo te rokiroki pūngao

2023/08/16

Te Ao Whakauru: Nga Mahi Ahupaoro Ahurei Acuter Acts

2023/03/15