



## SI5338N-B07819-GMR

Tau Wae	<a href="#">SI5338N-B07819-GMR</a>	RoHs Tūnga	N/A
Kaihanga / Waitohu	<a href="#">Skyworks Solutions, Inc.</a>	Waehere Stock	3411 pcs stock
Whakaahuatanga Hua	I2C CONTROL, 4-OUTPUT, ANY FREQU	Tuhinga mai i	Hong Kong
Ngā Rauemi	<a href="#">Si5338.pdf</a>	Te Ara Tuhi	DHL/Fedex/TNT/UPS/EMS

**3411 pcs stock**  
Te Aatau1 (I nga Utu US)

2500 pcs	\$9.005
----------	---------

### Tikina he Whakatauranga

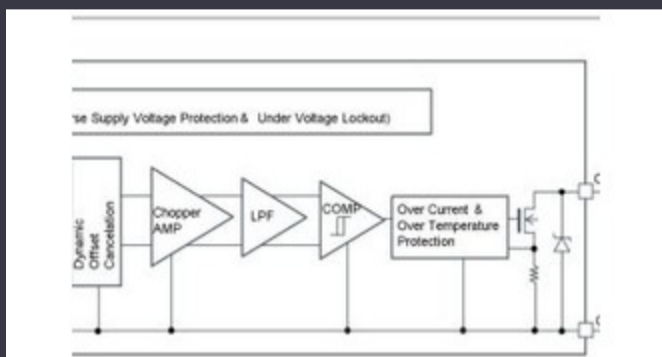
Paatohia te "Tikina he panui" ka whakakiiia nga mara e hiahiatia ana. Ka urupare matou ki to tono i nga haora 24 i te ra i te imeera. Mena ka tutaki koe ki tetahi take, waiho koa he panui, imeera ranei i a maatau i [info@global-ic.hk](mailto:info@global-ic.hk), a ka hoki mai ano matou ki a koe i te wa e taea ai.

TIKINA HE WHAKATAURANGA

### o SI5338N-B07819-GMR

Pūrere Pūrere Whakarato	24-QFN (4x4)	Raupapa	MultiSynth™
Paa / Case	24-VFQFN Exposed Pad	Pūhera	Tape & Reel (TR)
Momo Tae	Surface Mount	Tau hua hua	SI5338

### Panui Whakapono



Ka haere nga kaitirotiro miihini aunoa ki te 38V

2023/08/23

Automotive Hall Sensor Ko te 1% mo te ora me te whakauru MCU

2023/09/12

5V Ka huri te huringa kawenga-aukati me te aukati i te waa o naianei

2023/08/17

He tohu-a-waea-waea mo te tuku me nga waka iti-rōrahi

2023/09/13

Ko te rorohiko a te ringa-i runga i te-a-ringa he 1GHZA NEHIURA

2023/09/15

12V, 48v ranei nga tohu mana hiko e tuku ana i te 800W

2023/09/13

He iti noa te raru o te roro o te roro

2023/07/21

PCBSTY PCB I roto i te Smart Cardiac Aroturuki, me te maha atu

2023/08/16

Te Huringa Te Te Whakanoho o te Socs e tuku ana i te Oro Other Ochouchics '

2023/07/4

Te Ao Whakauru: Wi-Fi 6, Nihokikorangi me Teee 802.15.4 Ir-WPAN i roto i te waahanga kotahi

2023/03/16

Rutronik me Mediatek Waitohu Ka kawea mai e Iot Genio raupapa ki Uropi me Ihairaira

2023/07/4

Ka taapiri a Toshiba ki nga tohu wha-pine ki te tarai i nga mate

2023/08/31