

84330CVLN

Tau Wae	84330CVLN	RoHs Tūnga	
Kaihanga / Waitohu	Renesas Electronics Corporation	Waehere Stock	4512 pcs stock
Whakaahuatanga Hua	IC CLK/FREQ SYNTH 28PLCC	Tuhinga mai i	Hong Kong
Ngā Rauemi	ICS84330C.pdf	Te Ara Tuhi	DHL/Fedex/TNT/UPS/EMS

Tikina he Whakatauranga

Paatohia te "Tikina he panui" ka whakakāia nga mara e hiahiaia ana. Ka urupare matou ki to tono i roto i nga haora 24 i te ra i te imeera. Mena ka tutaki koe ki tetahi take, waiho koa he panui, imeera ranei i a maatau i info@global-ic.hk, a ka hoki mai ano matou ki a koe i te wa e taea ai.

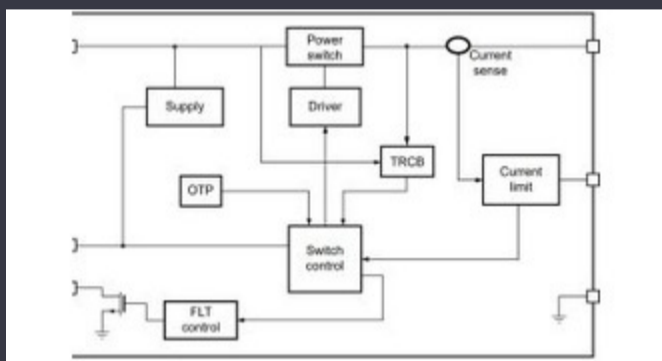
TIKINA HE WHAKATAURANGA

Ko te whakaahua he tohu. Tirohia nga korero mo nga taipitopito hua.

o 84330CVLN

Tuhinga o mua	3.135V ~ 3.465V	Momo	Clock/Frequency Synthesizer
Pūrere Pūrere Whakarato	28-PLCC (11.51x11.51)	Raupapa	-
Ratonga - Whakauru: Whakaputa	1:1	Paa / Case	28-LCC (J-Lead)
Pūhera	Tube	PLL	Yes
Whakaputa	LVPECL	Tae Mahi	0°C ~ 70°C
Tuhinga o mua	1	Momo Tae	Surface Mount
Whakauru	Crystal	Tautanga - Max	700MHz
Kawewehe / Whakanao	Yes/No	Motuhake - Whakauru: Whakaputa	No/Yes
Tau hua hua	84330C		

Panui Whakapono



5V Ka huri te huringa kawenga-aukati me te aukati i te waa o naianei
2023/08/17

Ka whakatauhia e te Accuive te ra mo nga kororerero-maha-rohe
2023/08/22

Te Ao Whakauru: Nga Mahi Ahupaoro Ahurei Acuter Acts
2023/03/15

Ihirangi kua tohua: Te heke mai o te haumarutanga aunoa ma te hoahoaKo te Whakaaturanga Tuarua Atom X7000 ka whiwhi 4x 2.5gbit / s Ethernet me 2x RS-485
2023/04/19

Ko te Sony e whai ana i tetahi kamera i te Drones me nga Robots mo nga Kaiwhakamahi Ahumahi
2023/09/6

He ripoata a Retam Profil
2023/04/26

Ko te Gan e tiakina ana e whakatuwhera ana nga painga arumoni mo nga pokapū raraunga, waka me te pv
2023/09/7

TDK Tāpirihia te Kōhanga Kaha Whakatutukitanga ki te maha o te DC Psus
2023/09/15

2023/08/21

EUMW: Ka pai ake a Rohde & Schwarz
2023/09/15

He iti noa te raru o te roro o te roro
2023/07/21

Pepa Supercapaciru mo te rokiroki pūngao
2023/08/16