



SI51210-B08933-GMR

Tau Wae	SI51210-B08933-GMR	RoHs Tūnga	N/A
Kaihanga / Waitohu	Skyworks Solutions, Inc.	Waehere Stock	112893 pcs stock
Whakaahuatanga Hua	IC CLOCK GENERATOR 6TDFN	Tuhinga mai i	Hong Kong
Ngā Rauemi		Te Ara Tuhi	DHL/Fedex/TNT/UPS/EMS

112893 pcs stock
Te Aataau1 (I nga Utu US)

3000 pcs
\$0.39

Tikina he Whakatauranga

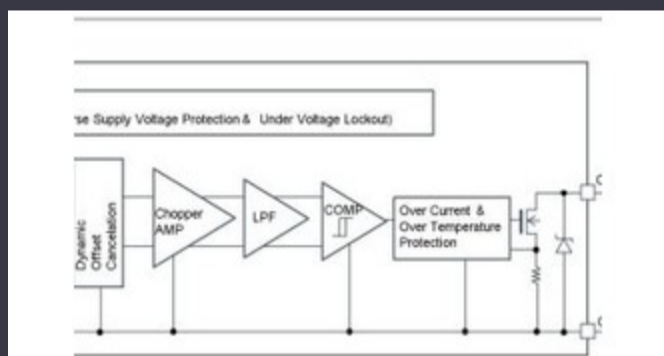
Paatohia te "Tikina he panui" ka whakakīia nga mara e hiahiatia ana. Ka urupare matou ki to tono i roto i nga haora 24 i te ra i te imeera. Mena ka tutaki koe ki tetahi take, waiho koa he panui, imeera ranei i a maatau i info@global-ic.hk, a ka hoki mai ano matou ki a koe i te wa e taea ai.

TIKINA HE WHAKATAURANGA

o SI51210-B08933-GMR

Tuhinga o mua	2.25V ~ 2.75V, 2.97V ~ 3.63V	Momo	Clock Generator
Pūrere Pūrere Whakarato	6-TDFN (1.2x1.4)	Raupapa	-
Ratonga - Whakauru: Whakaputa	1:2	Paa / Case	6-WDFN
Pūhera	Tape & Reel (TR)	PLL	Yes
Whakaputa	LVC MOS	Tae Mahi	-40°C ~ 85°C (TA)
Tuhinga o mua	1	Momo Tae	Surface Mount
Whakauru	Clock, Crystal	Tautanga - Max	170MHz
Kawewehe / Whakanao	Yes/No	Motuhake - Whakauru: Whakaputa	No/No

Panui Whakapono



- Ka haere nga kaitirotiro miihini aunoa ki te 38V
2023/08/23

Ka tapahia e te IC te pulsing o naianei ki te whakawhānui i te koiora Cell Te Ao Whakauru: AI Whakaaturanga Tukatuka mo nga Kamera 12 Cell
2023/07/11
- Te Ao Whakauru: Nga uiui Ataata - Longsys i runga i te R & D, hoahoa me nga hoko rokiroki
2023/03/27

Tirohanga: Te kitenga o te Wildfire-wawe me nga tohu IOT ma te whakamahi i te Lerawan
2023/07/14
- Ko nga kamera tirotiro te ine i te 800nm i roto i te mahi
2023/08/11

He iti noa te raru o te roro o te roro
2023/07/21
- Ka whakatauhia e te Accuive te ra mo nga kororerero-maha-rohe
2023/08/22

PCBSTY PCB I roto i te Smart Cardiac Aroturuki, me te maha atu
2023/08/16
- He pehea te ahuatanga o te mea pono
2023/07/19

Te whakahaere, te whakawhiti ranei i nga waahanga Ethernet Ahumahi Ahumahi
2023/08/21
- Ihirangi tautokohia: tapahi-tapahi semiconductors
2023/09/15