



## SI5330H-B00222-GMR

Tau Wae	<a href="#">SI5330H-B00222-GMR</a>	RoHs Tūnga	N/A
Kaihanga / Waitohu	<a href="#">Skyworks Solutions, Inc.</a>	Waehere Stock	15006 pcs stock
Whakaahuatanga Hua	IC CLK BUFFER 1:8 350MHZ 24QFN	Tuhinga mai i	Hong Kong
Ngā Rauemi	<a href="#">SI5330.pdf</a> <a href="#">SI5330.pdf</a>	Te Ara Tuhi	DHL/Fedex/TNT/UPS/EMS

**15006 pcs stock**  
Te Aatautau (I nga Utu US)

2500 pcs
\$2.983

### Tikina he Whakatauranga

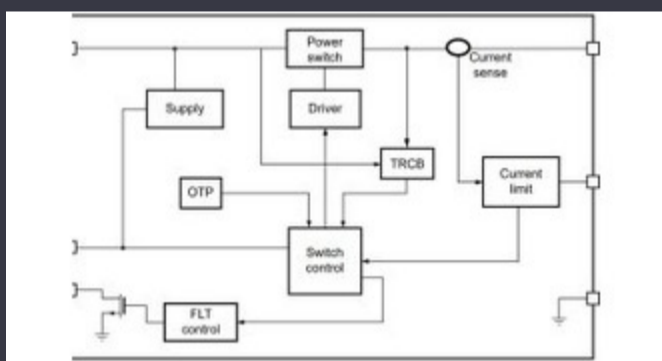
Paatohia te "Tikina he panui" ka whakakiia nga mara e hiahia ana. Ka urupare matou ki to tono i roto i nga haora 24 i te ra i te imeera. Mena ka tutaki koe ki tetahi take, waiho koa he panui, imeera ranei i a maatau i [info@global-ic.hk](mailto:info@global-ic.hk), a ka hoki mai ano matou ki a koe i te wa e taea ai.

**TIKINA HE WHAKATAURANGA**

### o SI5330H-B00222-GMR

Tuhinga o mua	1.71V ~ 3.63V	Momo	Fanout Buffer (Distribution), Translator
Pūrere Pūrere Whakarato	24-QFN (4x4)	Raupapa	-
Ratonga - Whakauru: Whakaputa	1:8	Paa / Case	24-VFQFN Exposed Pad
Pūhera	Tape & Reel (TR)	Whakaputa	SSTL
Tae Mahi	-40°C ~ 85°C	Tuhinga o mua	1
Momo Tae	Surface Mount	Whakauru	CML, HCSSL, LVDS, LVPECL
Tautanga - Max	350 MHz	Motuhake - Whakauru: Whakaputa	Yes/No
Tau hua hua	SI5330		

### Panui Whakapono



5V Ka huri te huringa kawenga-aukati me te aukati i te waa o naianei  
2023/08/17

Tirohanga: Te kitenga o te Wildfire-wawe me nga tohu IOT ma te whakamahi i te Lerawan  
2023/07/14

Ihirangi tautokohia: tapahi-tapahi semiconductors  
2023/09/15

TDK Tāpirihia te Kōhanga Kaha Whakatutukitanga ki te maha o te DC Psus  
2023/09/15

Ka haere nga kaitirotiro miihini aunoa ki te 38V  
2023/08/23

Ko te Gan e tiakina ana e whakatuwhera ana nga painga arumoni mo nga pokapū raraunga, waka me te pv  
2023/09/7

Ko te rorohiko a te ringa-i runga i te-a-ringa he 1GHZA NEHIURA  
2023/09/15

Ihirangi kua tohua: Te heke mai o te haumarutanga aunoa ma te hoahoa  
2023/04/19

Ko nga panui a Google me nga kopaki e pupuhi ana ki te putanga 3.13  
2023/08/30

PCBSTY PCB I roto i te Smart Cardiac Aroturuki, me te maha atu  
2023/08/16

Ble oro me tona waahi i roto i te whanaketanga o te bluetooth  
2023/07/19

12V, 48v ranei nga tohu mana hiko e tuku ana i te 800W  
2023/09/13